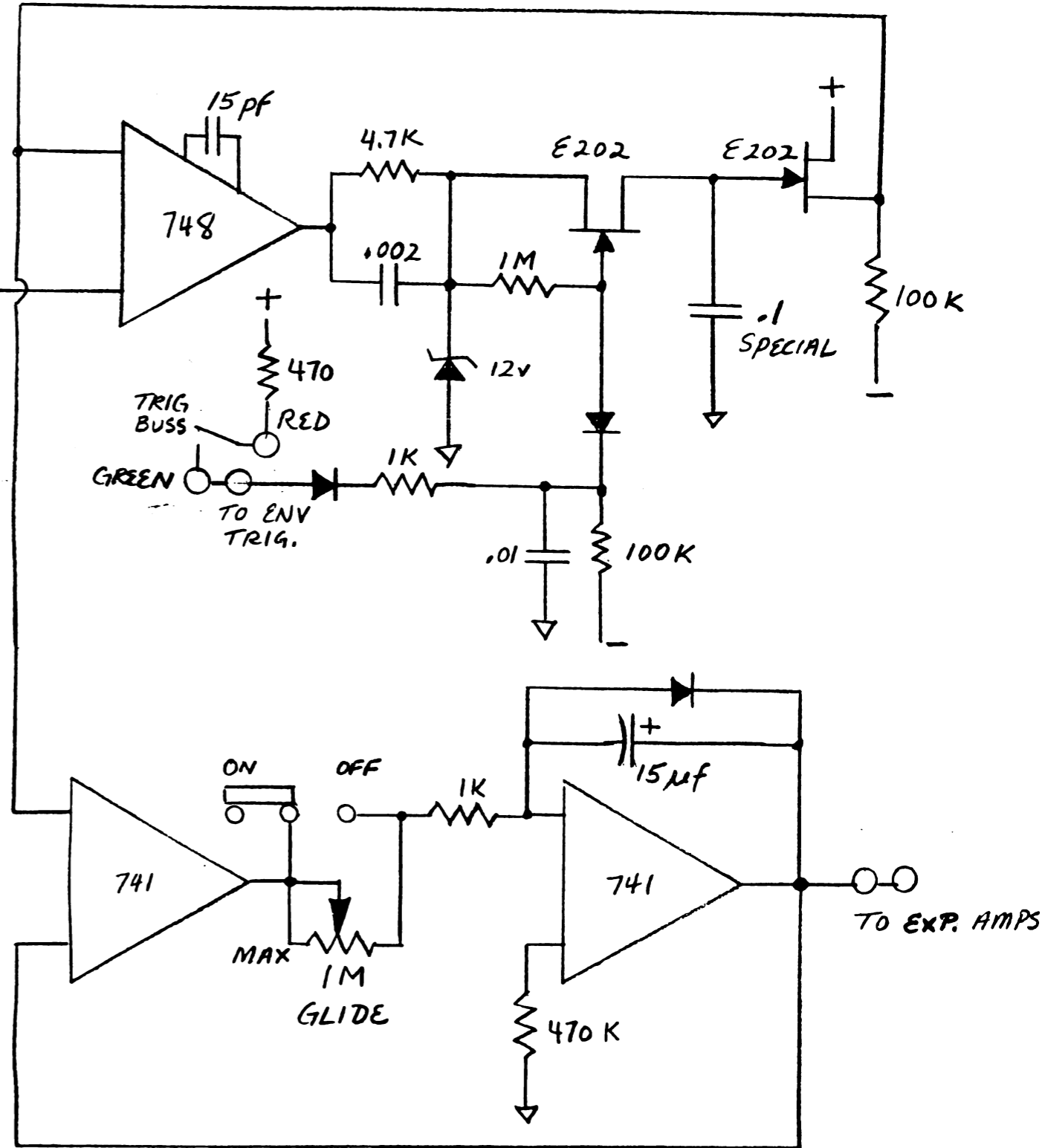
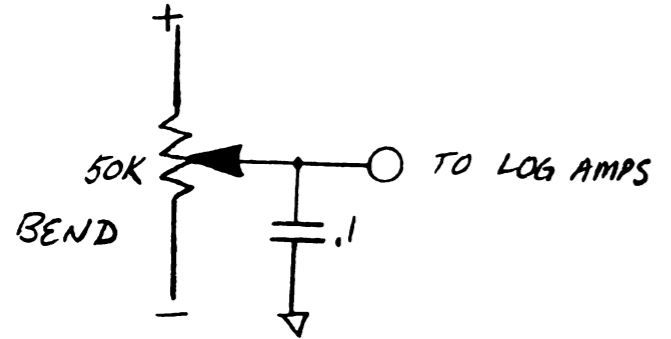
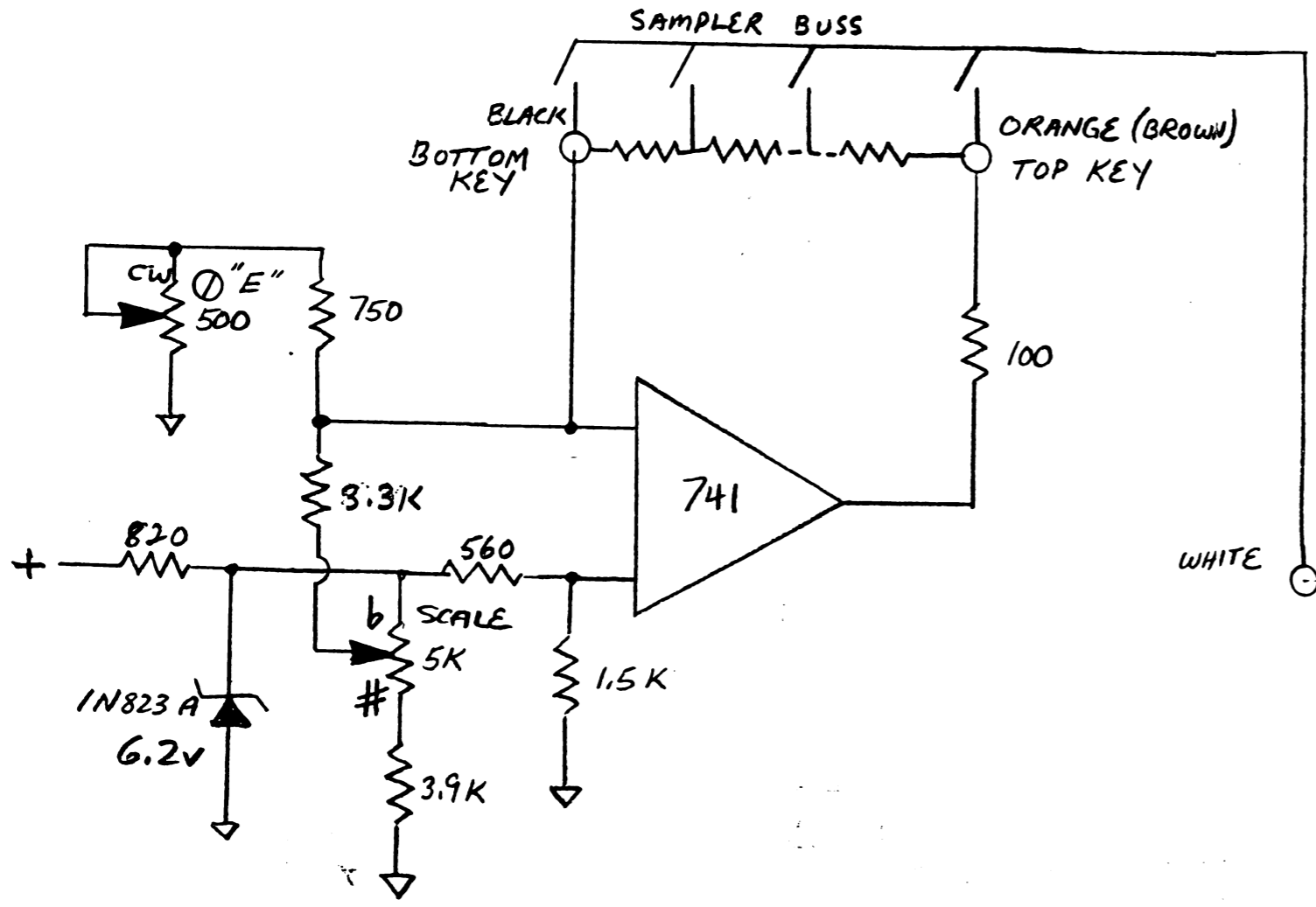
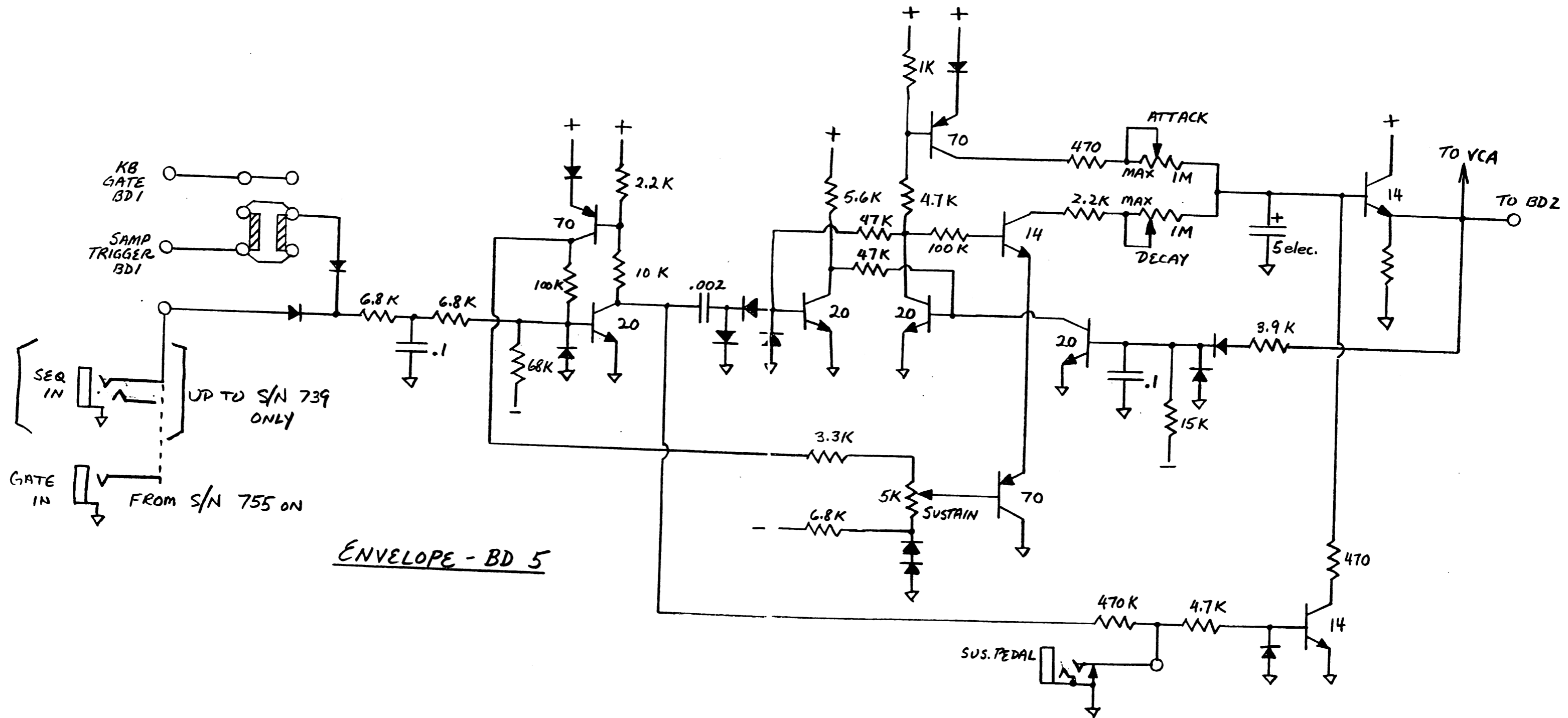


KB DRIVER, SAMPLE & HOLD, PORTAMENTO

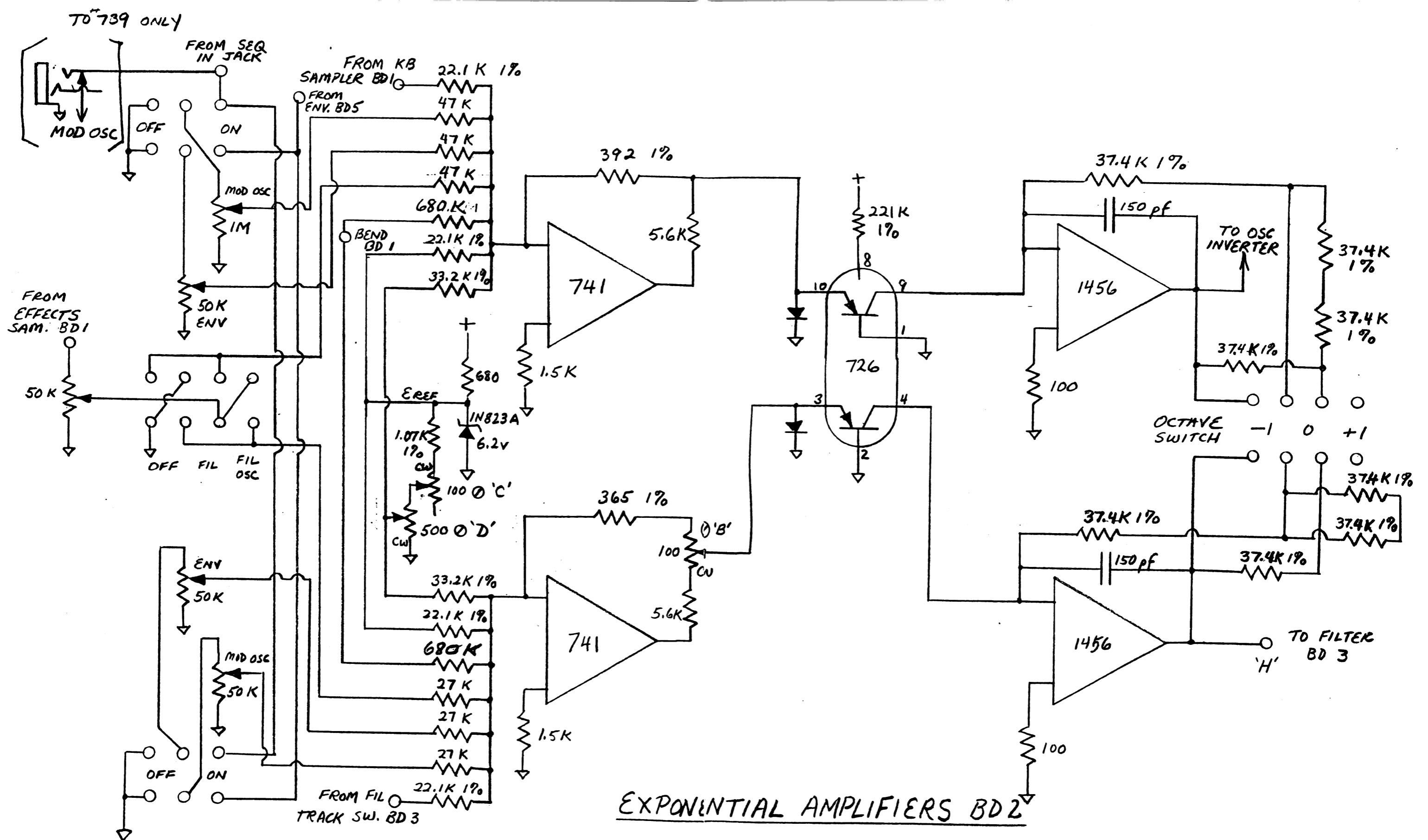


ELECTRONIC MUSIC LABS, INC.
 500 - BD 1
 3-1-75 KJK
 p.1 of 10



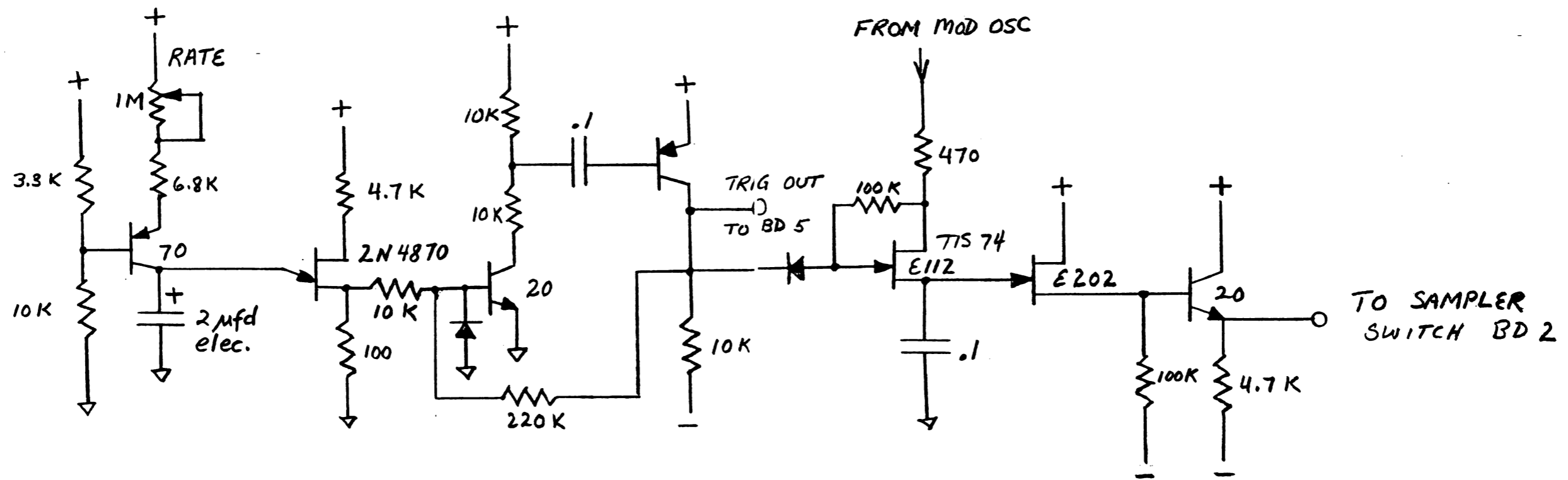
ENVELOPE - BD 5

ELECTRONIC MUSIC LABS., INC.
 500 - BD 5
 3-3-75 KJK
 p. 2 of 10



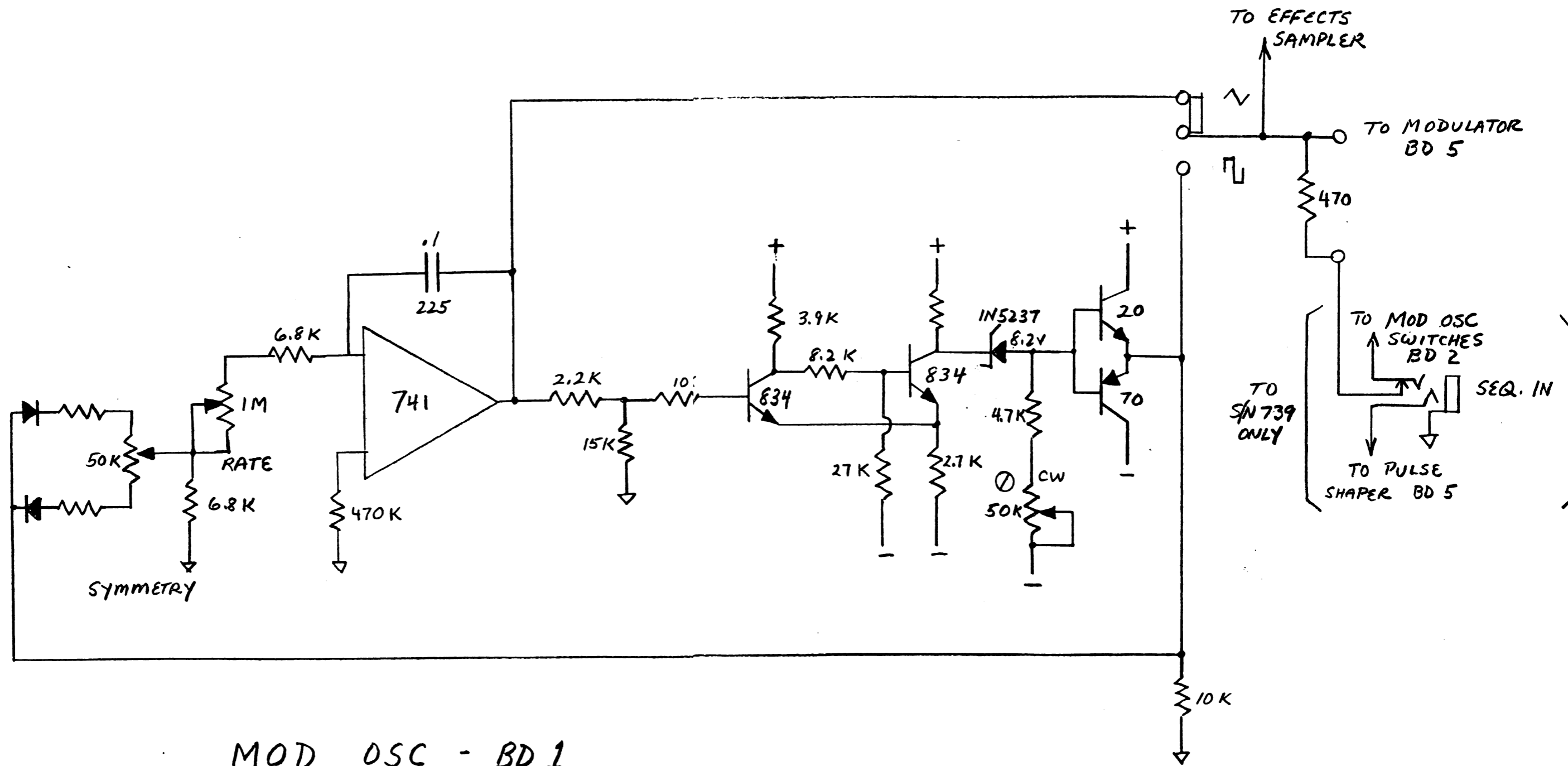
EXPONENTIAL AMPLIFIERS BD2

ELECTRONIC MUSIC LABS., INC.
 500 - BD 2
 3-1-75 KJK
 p.3 of 10



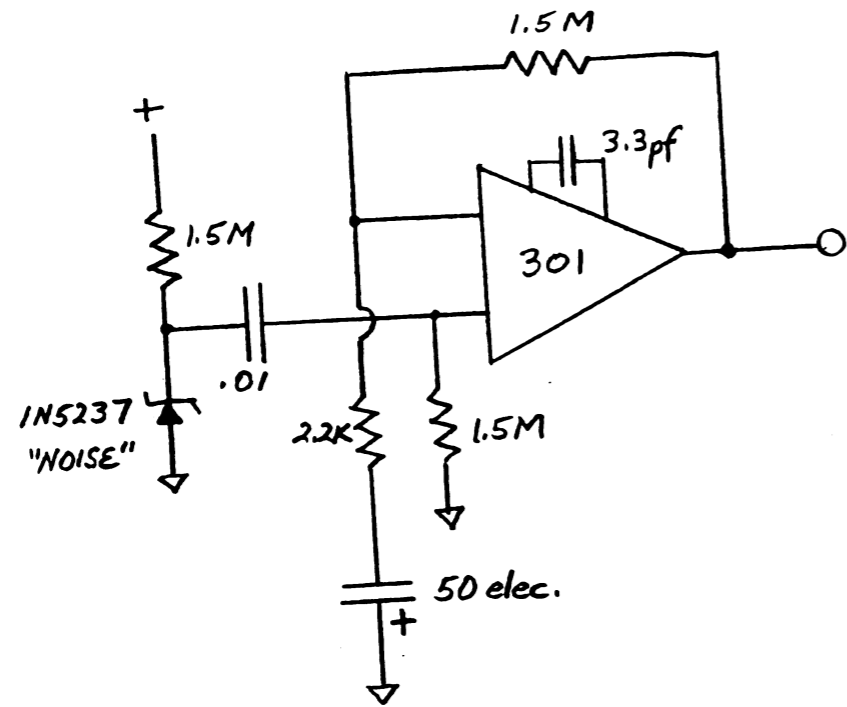
EFFECTS SAMPLER - BD 1

ELECTRONIC MUSIC LABS., INC.
 500 - BD 1
 3-1-75 KJK
 p.4 of 10

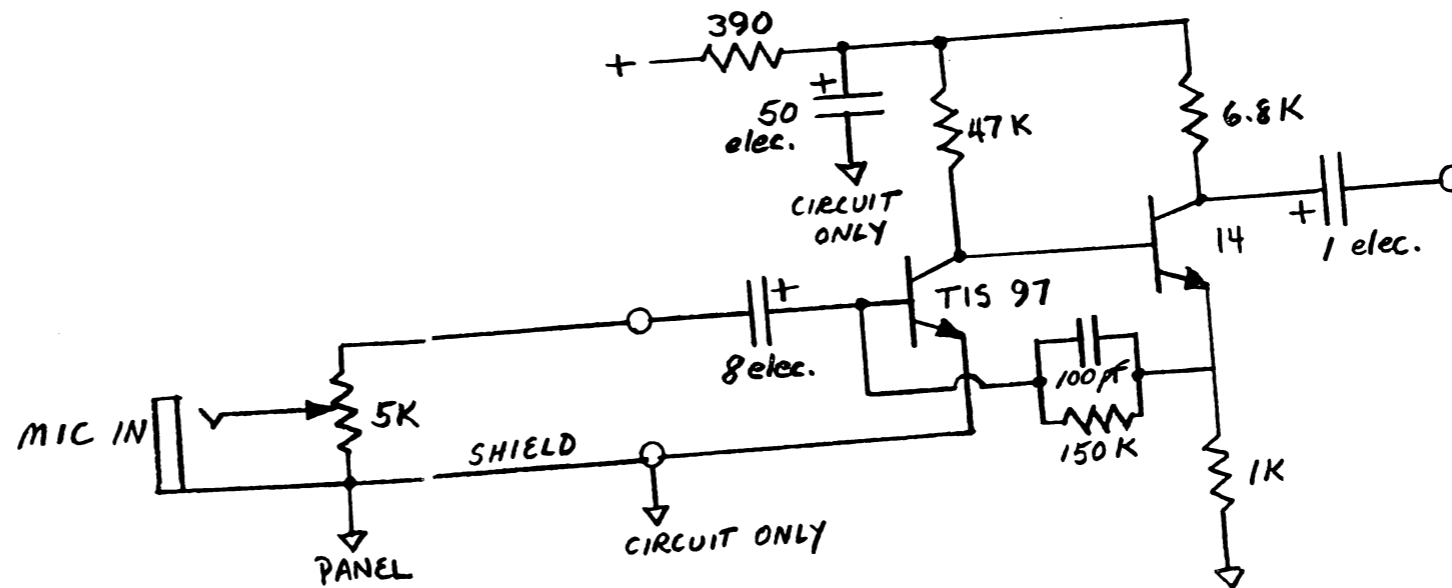


MOD OSC - BD 1

ELECTRONIC MUSIC LABS., INC.
 500 - BD 1
 3-1-75 KJK
 p. 5 of 10

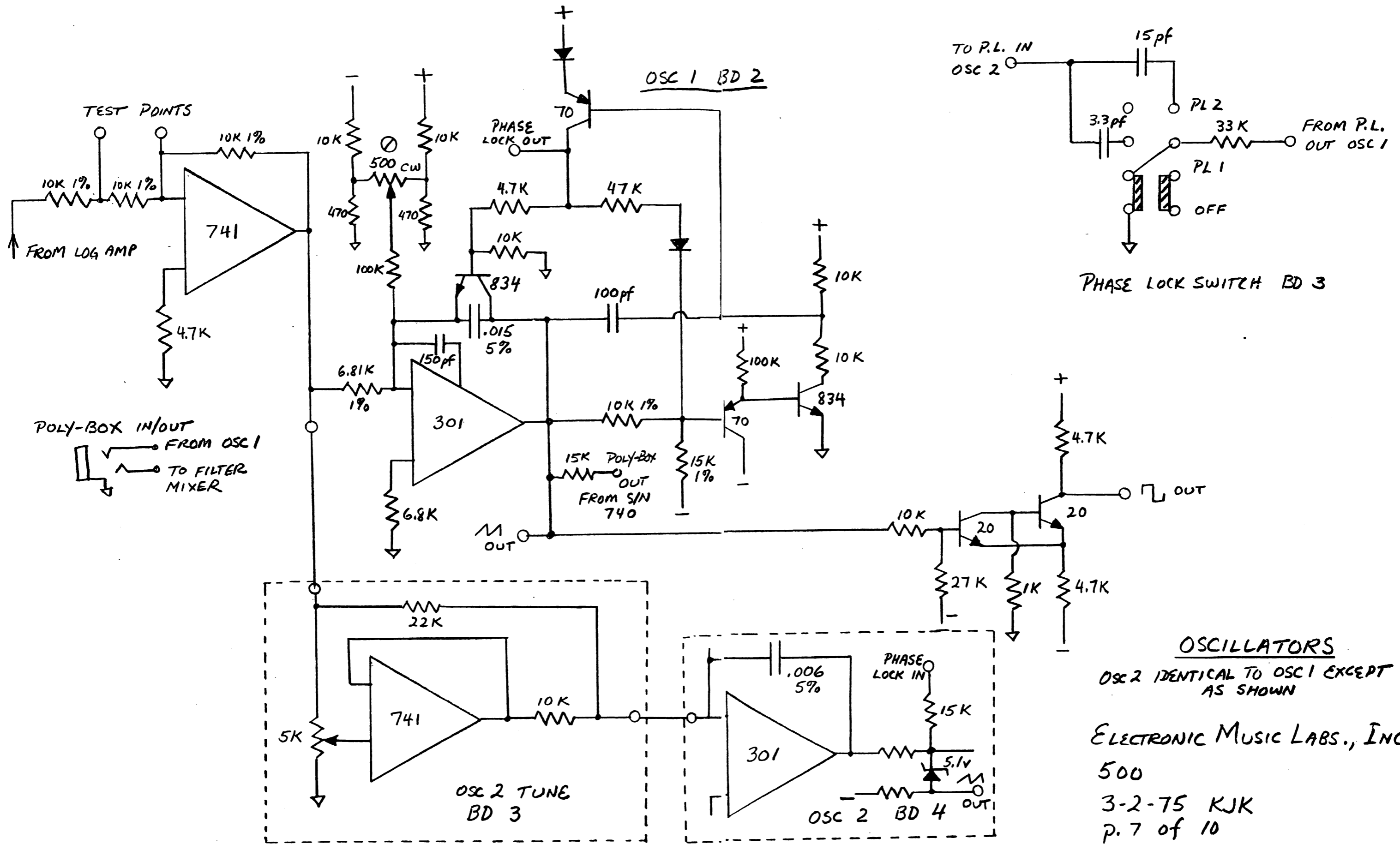


NOISE GENERATOR



MIC PREAMP

ELECTRONIC MUSIC LABS., INC.
 500 - BD 4
 3-3-75 KJK
 p.6 of 10

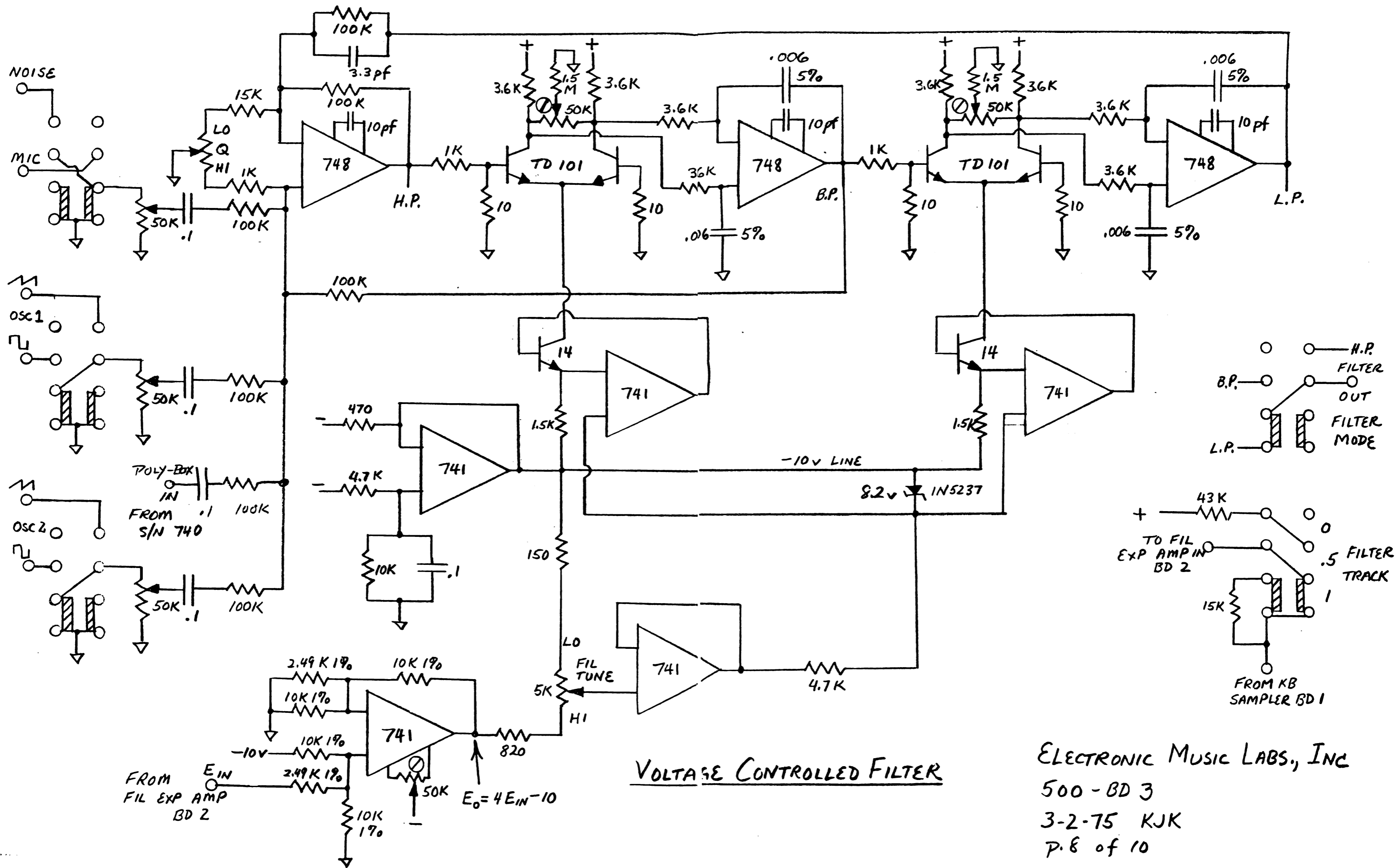


OSCILLATORS

OSC 2 IDENTICAL TO OSC 1 EXCEPT AS SHOWN

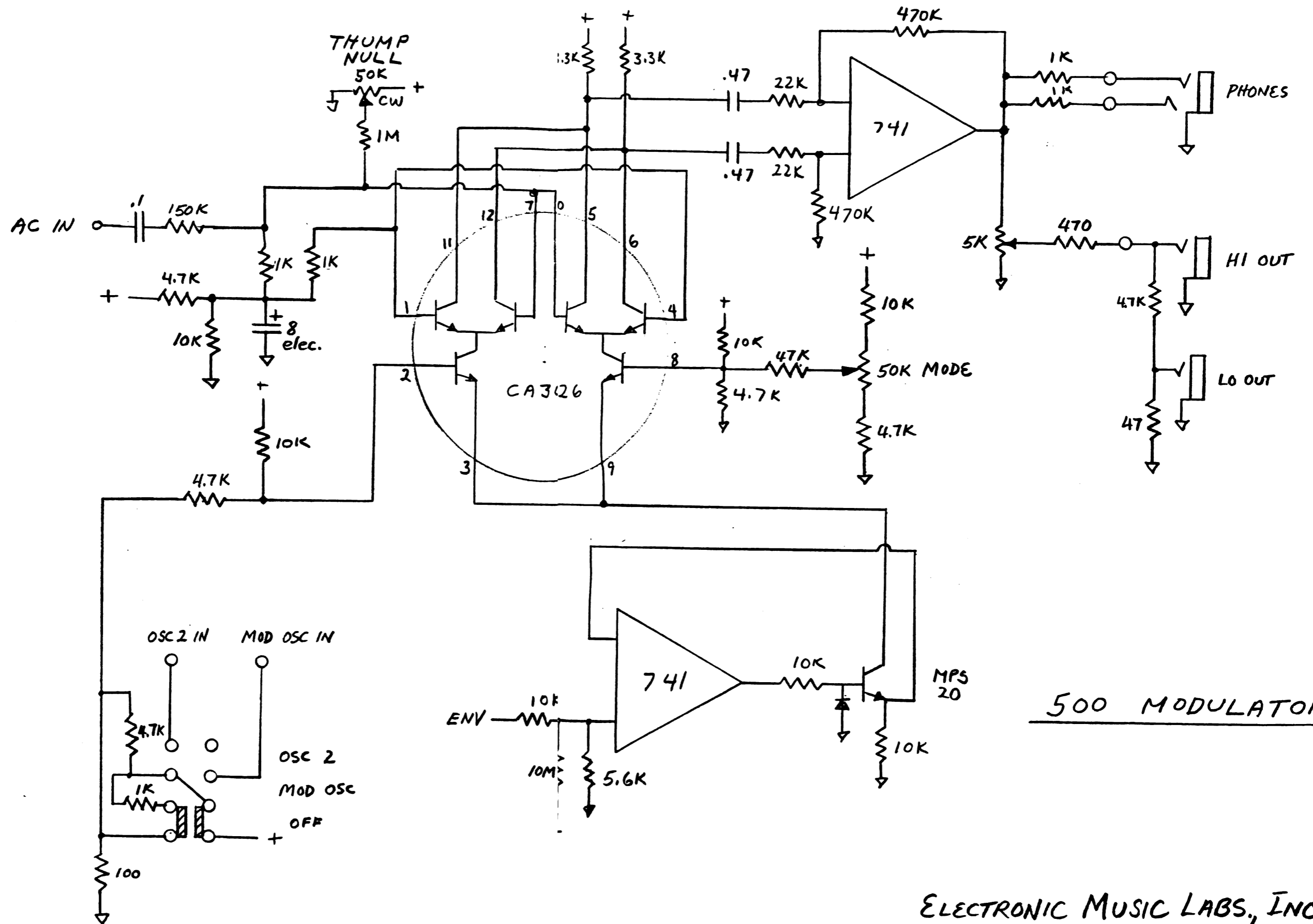
ELECTRONIC MUSIC LABS., INC.

500
3-2-75 KJK
p. 7 of 10



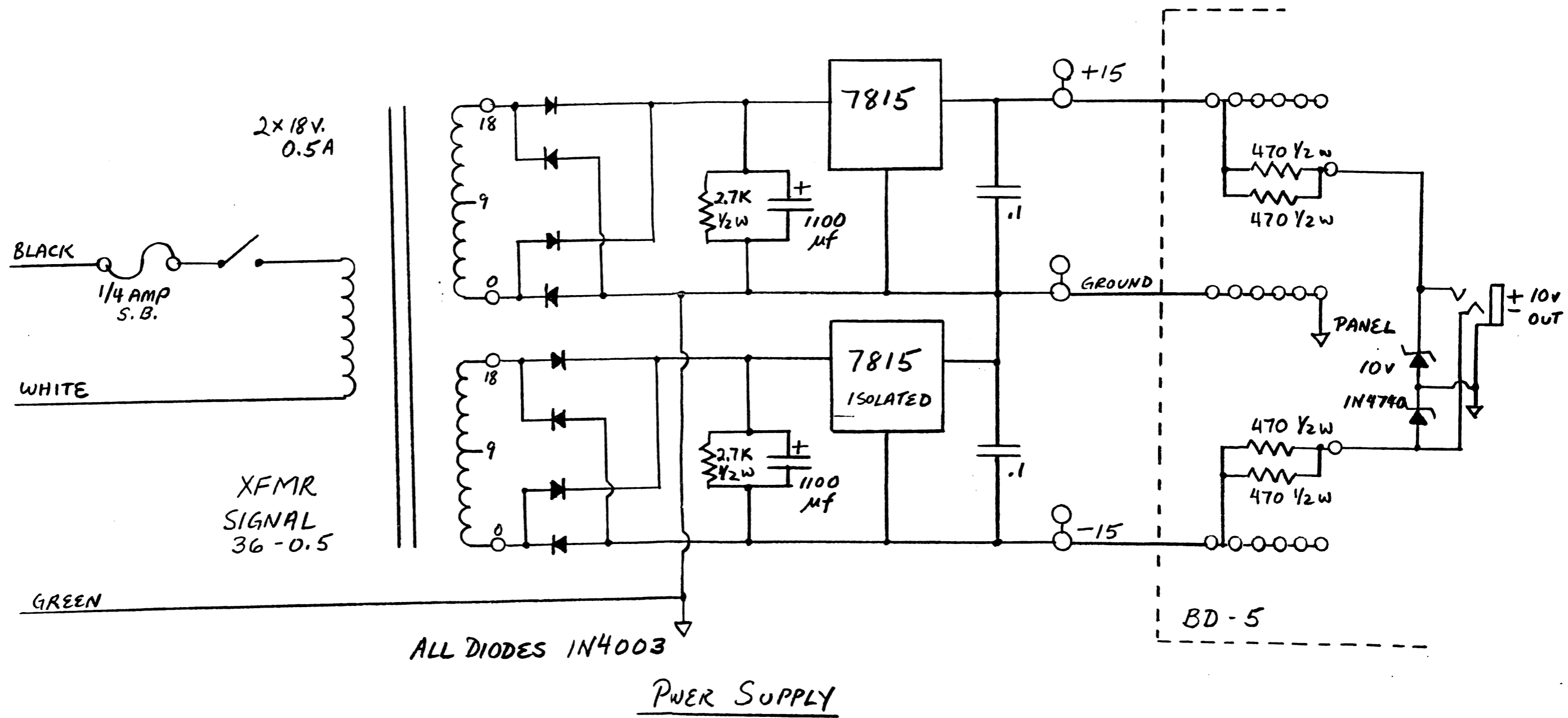
VOLTAGE CONTROLLED FILTER

ELECTRONIC MUSIC LABS., INC
 500-BD 3
 3-2-75 KJK
 P. 8 of 10



500 MODULATOR-BDS

ELECTRONIC MUSIC LABS., INC.
 500 - BD 5
 REV. 3-3-75 KJK
 p. 9 of 10



ELECTRONIC MUSIC LABS., INC.

500

3-4-75 KJK

p.10 of 10